

Purex CleanCab™

Fume Extraction Cabinets

Where complete freedom to work over a wide area is essential or where the ability to work on several processes at once is required then CleanCabs™ are the answer.

Where fumes spread rapidly (for example in draughty working conditions) Purex CleanCabs™ can enclose the source, enabling fumes to be captured before they contaminate the workplace.

Typical Application Areas

CleanCabs™ are designed to be flexible. For example, additional extraction ports, water taps, drainage and electrical cable entry points can all be added.

Applications include:

- Cleaning, gluing and varnishing
- General chemical and biological treatments
- Chemical storage and handling
- Hand soldering
- Tinning and potting

Features

- Open or closed clear hood
- Chemically resistant base
- Optional downdraught airflow
- Integral airflow control valve
- Interchangeable with Purex Purification Arms
- Low maintenance design
- Flexible operation

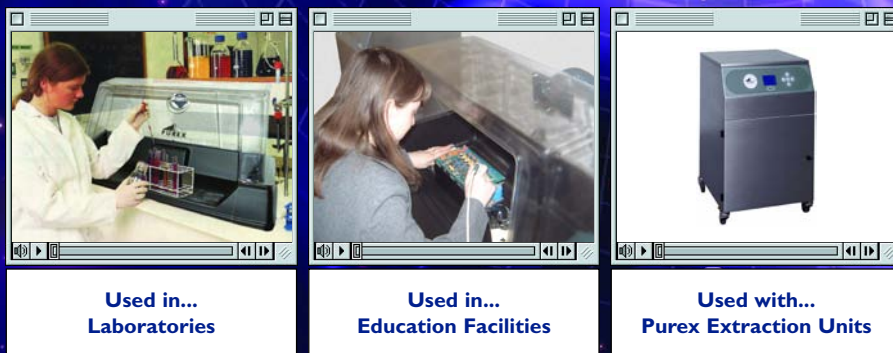
For more information
visit www.purexLtd.co.uk

4



Fume Purification
Technology

Used in...
Production Facilities

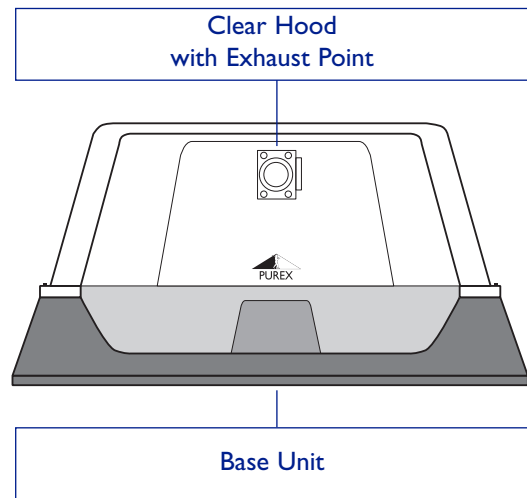
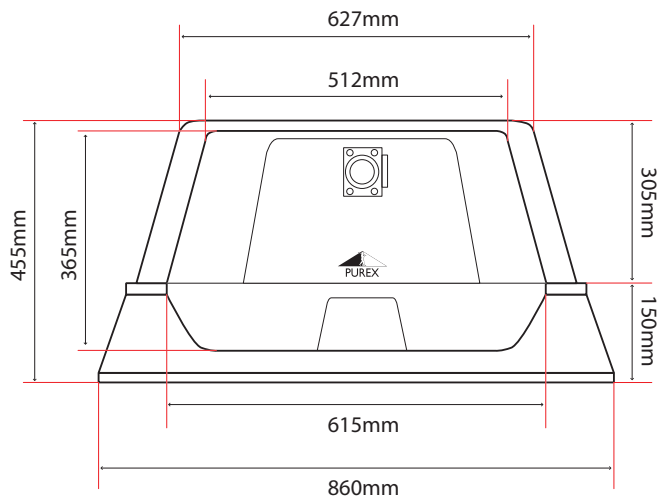


Used in...
Laboratories

Used in...
Education Facilities

Used with...
Purex Extraction Units

Purex CleanCab™ Fume Extraction Cabinets



CleanCab™ Standard System Options	CleanCab™ Hood or Base Only Options	CleanCab™ Specialist Options
		<p>Specialist options are available for the CleanCab™ system.</p> <p>These include:</p> <ul style="list-style-type: none"> • Water taps • Drainage points • Multiple extract ports • Access for electrical connections • Perforated steel work plate <p>If your requirements are not shown here please contact Purex or your local supplier.</p>
		<p style="text-align: center;">Optional Tap Kit</p>